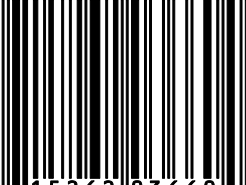





SMK-Link Electronics Corporation  
3601-B Calle Tecate, Camarillo, CA 93012  
Phone (805) 987-6662, Fax (805) 987-6665  
[www.smklink.com](http://www.smklink.com)

## Product Announcement Information Sheet

Product Name	PadDock Flex Universal Tablet Stand
Model Number	VP3660
Part Number	LAT9600-3801F
UPC Code for Single Unit Box	 7 15262 03660 4 7 15262 03660 4
Dimensions/Weight per Single Unit Box	8.5 x 6.3 x 1.2 inch; 11.1 oz (215 x 160 x 30 mm; 315 g)
UPC Code for Master Carton	 1 07 15262 03660 1 1 07 15262 03660 1
Dimensions/Weight per Master Carton	15.4 x 15.7 x 14.4 inch; 30.4 lb. (390 x 400 x 365 mm; 13.8 kg)
Quantities per Master Carton	40 Units per Master Carton
Country of Origin	Taiwan
Suggested Retail Price	US \$29.99
Availability	November 27, 2013



## Product Descriptions

### **Product Description – 25 Words**

Use your mobile tablet anywhere with the PadDock Flex Universal Tablet Stand. Supporting both standard and mini-sized tablets, Flex provides vertical and horizontal viewing orientations.

### **Product Description – 50 Words**

Use your Apple iPad or other mobile tablet anywhere with the PadDock Flex Universal Tablet Stand. Designed for standard 9” to 11” and mini-sized 7” to 9” tablets, PadDock Flex, which also holds iPhones and smartphones, enables vertical and horizontal screen viewing over a continuous range of viewing angles.

### **Product Description – 100 Words**

Use your Apple iPad, iPad Mini, Android, Kindle or other mobile tablet anywhere with the PadDock Flex Universal Tablet Stand. With its sturdy metal construction and skid-free silicone pads, PadDock Flex securely holds all standard and mini-sized tablets as well as all models of Apple iPhone and other popular smartphones.

Sturdy yet flexible, PadDock Flex provides both portrait and landscape screen viewing over a continuous range of viewing angles. Folding flat for travel, Flex offers great portability. Use your mobile tablet anywhere (your office, kitchen, bed side table, coffee shop, library, etc.) with the PadDock Flex Universal Tablet Stand.

## Features & Benefits

### **Universal tablet stand for flexibility and maximum freedom**

- Stand supports all sizes of e-readers and tablets including all generations of iPad, iPad Mini, iPad Air, Android tablets and Kindle.
- Offers 2 easily configured positions making it possible to support tablets and smartphones.

### **360-degree adjustable stand positions provide maximum viewing angle**

- The stand can be adjusted into any viewing angle thanks to its 360-degree hinge.
- Accommodates portrait or landscape modes for viewing or typing position.

### **Sturdy and Elegant aluminum design for durability**

- The aluminum construction offers strong and sturdy design that lasts.
- The industrial-strength 360-degree hinge is made to withstand high frequencies of repositioning of the stand.

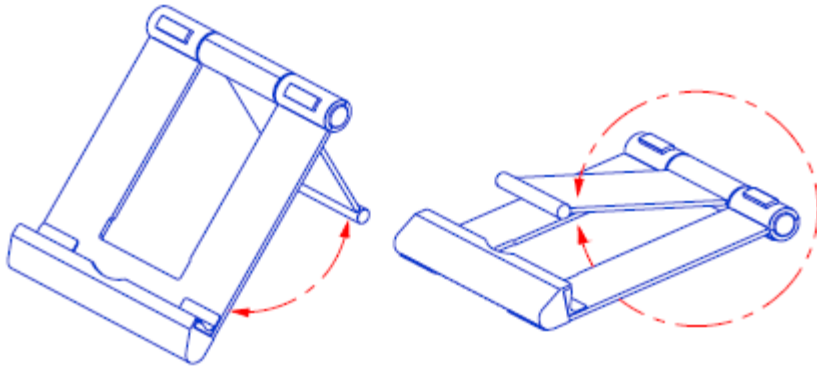
### **Flat and lightweight for great portability**

- The stand folds into a flat position for ease of carrying in a bag.
- The lightweight aluminum design, together with the compact size, offers great portability from your dining room table to the kitchen counter, from the bedroom nightstand to the office desk, and anywhere you take your tablet.

## **Specifications**

### **Product Specifications**

- Devices supported: all e-readers, tablets, and some mobile phones
- Material: aluminum with silicon pads
- Hinge: 360-degree swivel
- Orientation: portrait and landscape
- Positions: 2 (see drawing below)



### **Dimensions & Weight**

- Dimensions: 6.9 x 6.1 x 1.3 inches (175 x 154 x 32 mm)
- Weight: 8.8 oz (250 g)

### **Package Contents**

- PadDock Flex Universal Tablet Stand

### **Warranty**

- 12 months limited warranty