





SMK-Link Electronics Corporation
3601-B Calle Tecate, Camarillo, CA 93012
Phone (805) 987-6662, Fax (805) 987-6665
www.smklink.com

Product Announcement Information Sheet

Product Name	PadDock™ Pivot Dual Arm Locking Tablet Stand
Model Number	VP3670
Part Number	LAT9600-4001F
UPC Code for Single Unit Box	 7 15262 03670 3 7 15262 03670 3
Dimensions/Weight per Single Unit Box	8.9L x 6.7W x 21.2H inch; 5.7 lb. (226L x 171W x 537H mm; 2.6 kg)
UPC Code for Master Carton	 1 07 15262 03670 0 1 07 15262 03670 0
Dimensions/Weight per Master Carton	18.4L x 14.1W x 21.9H inch; 25.1 lb. (468L x 358W x 556H mm; 11.4 kg)
Quantities per Master Carton	4 Units per Master Carton
Country of Origin	Taiwan
Suggested Retail Price	US \$169.99
Availability	May 1st, 2014



Product Descriptions

Product Description – 25 Words

Keep your iPad® or other mobile tablet accessible and secure with the new PadDock™ Pivot Dual Arm Locking Tablet Stand. PadDock Pivot accommodates most 9” to 11” mobile tablets.

Product Description – 50 Words

Keep your iPad® or other mobile tablet accessible and secure with the new PadDock™ Pivot Dual Arm Locking Tablet Stand. Designed to secure and hold most 9” to 11” mobile tablets, the locking tablet cradle rotates 360° for viewing in any orientation, while tilting through a 165° range to provide your best viewing angle.

Product Description – 100 Words

Keep your iPad® or other mobile tablet accessible and secure with the new PadDock™ Pivot Dual Arm Locking Tablet Stand. Designed to secure and hold most 9” to 11” mobile tablets, the locking tablet cradle rotates 360° for viewing in any orientation.

Enabling the use of tablets in educational, medical and business environments, Pivot’s adjustable arm positions mobile tablets precisely, while unobtrusively helping keep it safe from theft. Pivot’s special locking C-clamp desk mount is suitable for desktops, countertops and other surfaces 0.8” to 2.3” thick and allows you to lock it without holes, cables or adhesives.

Features & Benefits

Universal tablet holder for flexibility and maximum freedom

- PadDock™ Pivot holds standard size tablets from 9” to 11,” including all generations of iPad and Android tablets.
- The Pivot holder pivots 360° making it possible to view in any orientation.
- The Pivot holder also offers maximum tilt angle of 165° which provides a wide selection of viewing angles.

Dual arm design provides maximum adjustment with wider reach

- The dual-section swing arm offers a swing angle of 180° from front to back with great reach.
- The arm swivels 360° allowing viewing from any position.
- Height adjustment of 18.8” (478mm) vertical range allows comfortable eye level viewing.
- Horizontal extension of 21.3” (540mm) brings the tablet closer to one’s eye.
- Suitable for counter height or office desktop and table.

Elegant design features aluminum alloy construction for great durability

- PadDock™ Pivot's aluminum tablet holder offers strong metal claws that could withstand high frequency of release-and-closure actions.
- The swing arm is made of lightweight and sturdy aluminum that can support up to 3.3 lb (1.5 kg) of weight load.

C-Clamp desk mount base offers ease of installation

- PadDock™ Pivot's simple C-Clamp desk mount design does not require a hole on the desk for ease of installation.
- The swing arm fits any surface with thickness ranges from 0.8" (20mm) to 2.3" (60mm) making it suitable for a wide range of surfaces.

Anti-theft security features allowing display in public area

- PadDock™ Pivot's metal tablet holder is designed with a key lock to prevent unauthorized removal of the tablet. Two keys are included with every unit.
- The C-Clamp desk mount base also comes with a security mechanism that requires a proprietary tool (included with the product) to dismount; thus works as deterrent to theft.

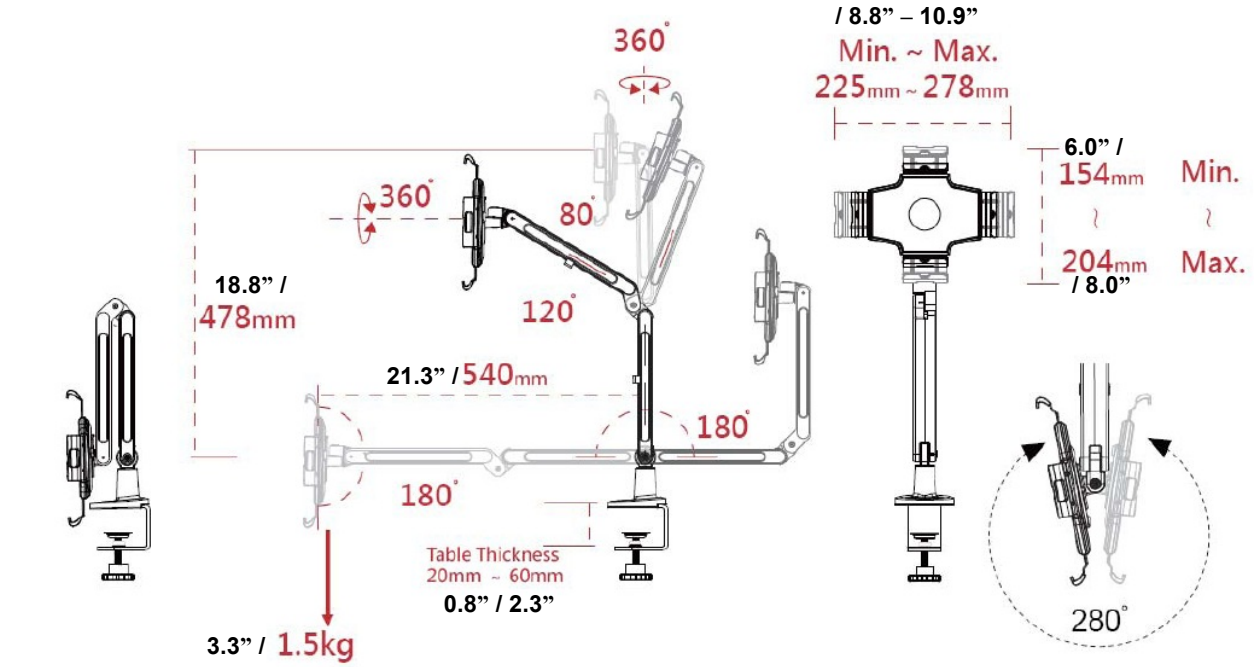
Cable management offers untangled wires and cables

- A cable management feature is included, allowing all cables and wires to route through for a tidy and untangled work area and / or display room.

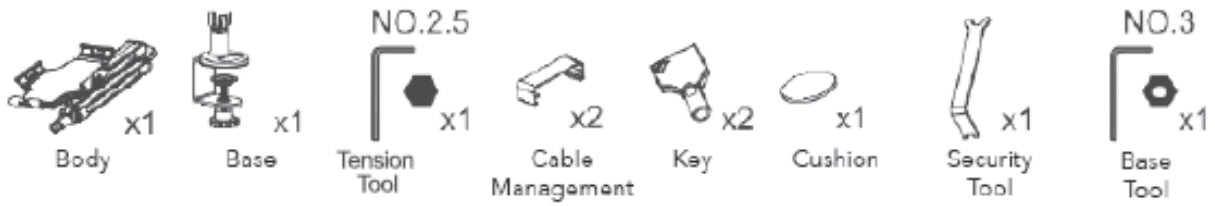
Specifications

Product Specifications

- Material: aluminum alloy
- Security lock of tablet holder: key lock
- Mounting mechanism: C-Clamp desk mount with anti-theft feature
- Desktop thickness: 0.8" (20mm) to 2.3" (60mm)
- Holder pivot angle: 360°
- Holder tilt angle: 180°
- Arm swing angle: 180° front to back
- Arm swivel angle: 360°
- Vertical range: 18.8" / 478mm
- Horizontal extension: 21.3" / 540 mm
- Maximum weight load: < 3.3 lb / 1.5kg



Package Contents



Warranty

- 12 months limited warranty